

# Turbine Series

## 900FH and 1000FH Fuel Filter/Water Separators

Instruction Part Number 12960 Rev D



Turbine Series filters protect precision engine components from dirt, rust, algae, asphaltines, varnishes, and especially water, which is prevalent in engine fuels. They remove contaminants from fuel using the following legendary three stage process:

### Stage 1 - Separation

As fuel enters the assembly, it moves through the centrifuge and spins off large solids and water droplets, which are heavier than fuel, and fall to the bottom of the collection bowl.

### Stage 2 - Coalescing

Small water droplets bead-up on the surface of the conical baffle and cartridge filter. When heavy enough, they too fall to the bottom of the collection bowl.

### Stage 3 - Filtration

Proprietary Aquabloc®II cartridge filters repel water and remove contaminants from fuel down to 2 micron (nominal). Aquabloc®II cartridge filters are waterproof and effective longer than water absorbing filters.



## Contact Information

Parker Hannifin Corporation  
**Racor Division**  
P.O. Box 3208  
3400 Finch Road  
Modesto, CA 95353

phone 800 344 3286  
209 521 7860  
fax 209 529 3278  
racor@parker.com

www.parker.com/racor  
www.parker.com/racorproducts

## Getting Started

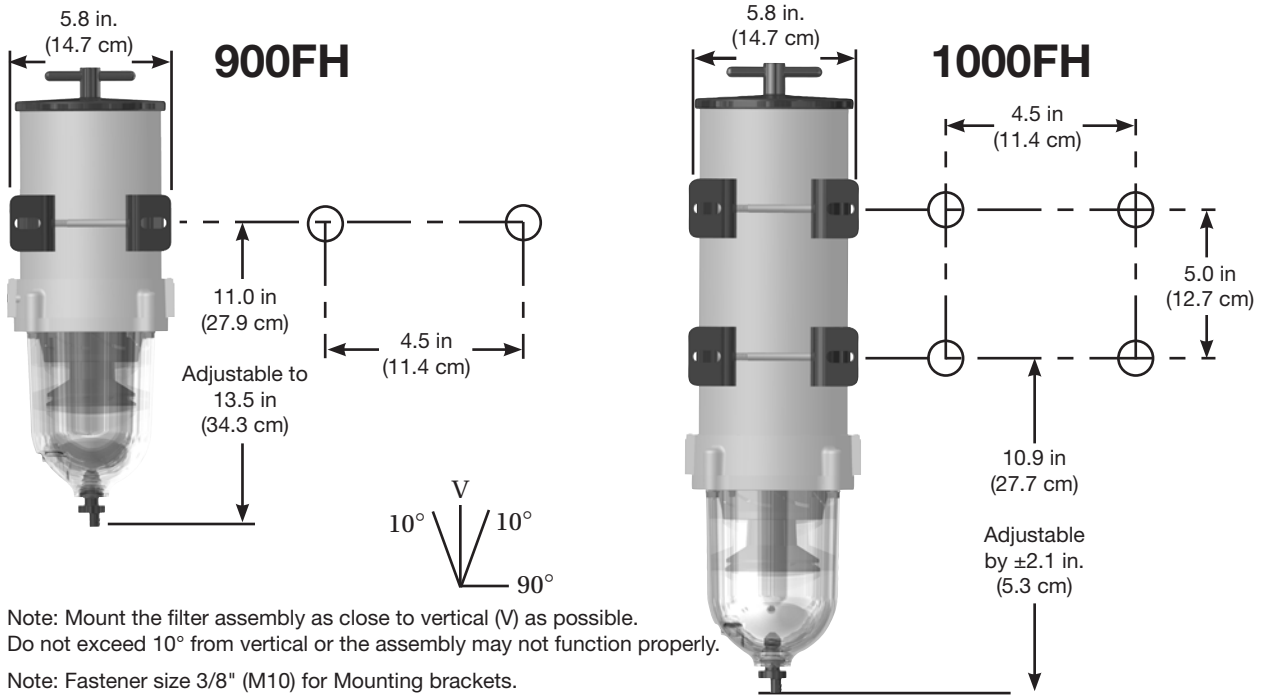
**The following customer supplied materials should be on hand before beginning installation.**

- Shop Towels.
- Diesel Fuel (about 1 gallon).
- Thread Sealant (no thread tapes).
- Parker Super O-Lube (RK 31605) or equivalent.
- Fuel Hose.
- Mounting Hardware (3/8" or M10 fasteners).
- Inlet/Outlet Fittings.

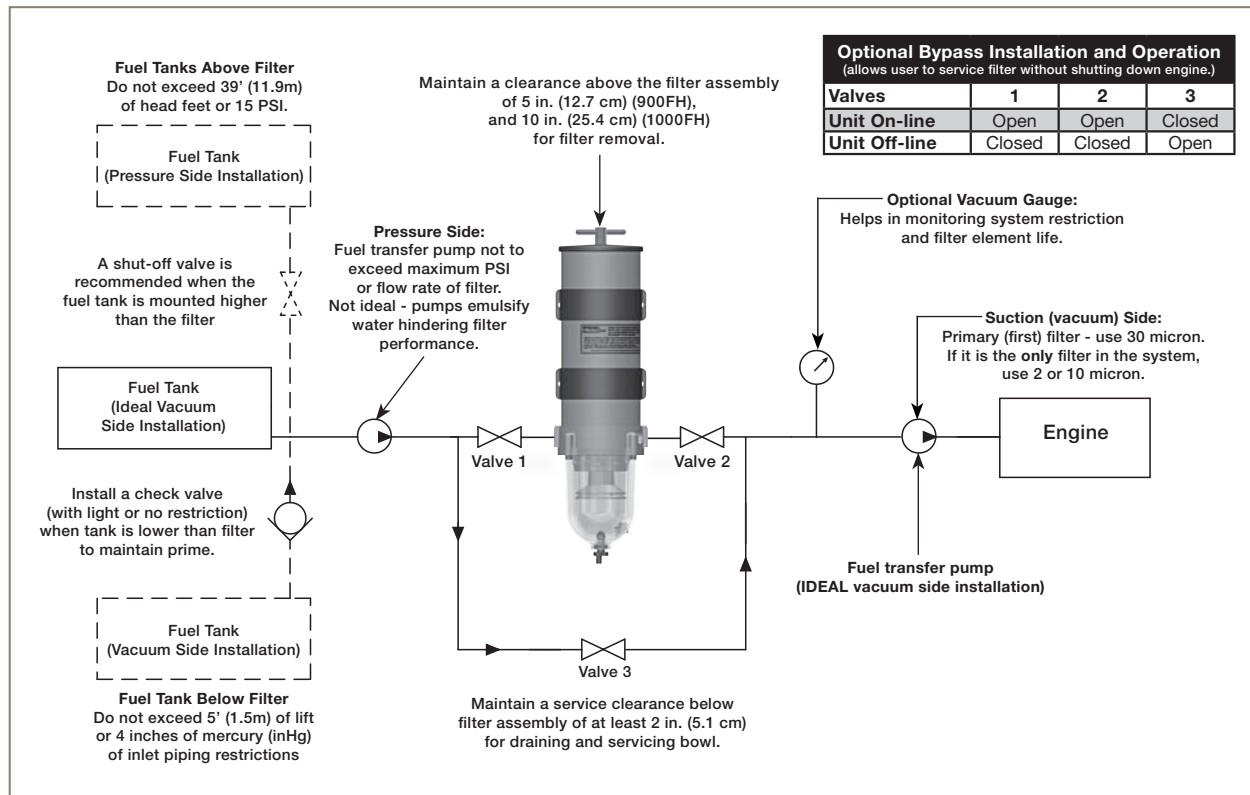


ENGINEERING YOUR SUCCESS.

# Mounting Information



# Installation Diagram



# Installation Instructions

Adjustable, one-piece clamp-type mounting brackets (with grade 5 fasteners) are included for ensured durability. The 900FH uses one mounting bracket and 1000FH uses two mounting brackets, both can be adjusted for a secure fit.

## Positioning Filter

- Install Turbine Series filter on vacuum side of fuel transfer pump for optimum water separating efficiency.

**Note: See installation diagram.**

- Keep fuel line restrictions to a minimum. Locate filter assembly between horizontal planes of bottom of fuel tank and inlet of fuel pump, if possible. If filter is installed in an application where the fuel tank is higher than the filter, a shut-off valve must be installed between tank and filter assembly INLET. This will be used when servicing replacement filter.

## Before Installation

- Obtain good ventilation and lighting.
- Maintain a safe working environment.
- The engine must be off for installation.
- DO NOT smoke or allow open flames near the installation.

## Installing Filter

- Completely remove any vacuum side filters in fuel line between fuel tank and fuel pump. This is where filter assembly will be mounted. Leaving these filters in place will add to the fuel line restriction. Filter heads cast into engine, or that are non-removable, or hard piped should be serviced with a new filter and left in place.
- Keep fuel flow restriction values to a minimum. Always use maximum size fuel hose possible. Do not make sharp bends with flexible fuel hose as kinks may occur. Avoid use

of two 45° elbow fittings where one 90° elbow will work.

- When routing hose, avoid surfaces that move, have sharp edges, or get hot (such as exhaust piping).

## Priming Instructions

1. Remove T-handle and lid from top of filter.
2. Fill filter with clean fuel.
3. Lubricate lid gasket and T-handle O-ring with clean fuel or motor oil.
4. Replace lid and T-handle and tighten snugly by hand only - **do not use tools**.
5. If applicable, refer to equipment Operator's Service Manual to complete fuel priming procedure.
6. Start engine and check for fuel system leaks. Correct as necessary with engine off and pressure relieved from filter assembly.

# Service Instructions

## Draining Water

Frequency of water draining is determined by the contamination level of fuel. Inspect or drain collection bowl of water daily or as necessary. Collection bowl must be drained before contaminants reach the top of the turbine or when Water Detection Module (optional) indicates a drain is required.

## Vacuum Side Applications

1. Close inlet valve (or valve #1) and open self-venting drain on bottom of bowl.
2. Close drain after all water and contaminants have been evacuated - DO NOT leave drain open too long as it will eventually completely drain entire filter of water AND fuel.
3. Follow **Priming Instructions**.

## Pressure Side Applications

1. Open self-venting drain on bottom of bowl. Head pressure will push any water and contaminants out of drain while keeping filter primed.
2. Close drain after all water and contaminants have been evacuated - DO NOT leave drain open too long as it will eventually completely drain entire filter of water AND fuel, and possibly drain entire tank.

# Element Replacement

Frequency of filter replacement is determined by contamination level of fuel. Replace filter every 10,000 miles, every 500 hours, every other oil change, when vacuum gauge (optional) reads between 6 to 10 inches of mercury (inHg), if power loss is noticed, or annually, whichever occurs first.

*Note - always carry extra replacement filters as one tankful of excessively dirty fuel can plug a filter.*

1. Bypass filter assembly with bypass valves, if applicable.
2. Remove T-handle and lid.
3. Remove filter by holding bail

handles and slowly pulling upward with a twisting motion. Dispose of properly.

4. Replace old lid gasket and T-handle O-ring with new seals (supplied with new filter). Lubricate both seals with clean motor oil or diesel fuel before installation.
5. Refer to **Priming Instructions** otherwise, fill filter with clean fuel, then replace lid and T-handle and tighten snugly by hand only - **do not use tools**.

*Note - above ground tanks or transfer pump applications may use head pressure to prime filter.*



# Heater Information

## RK 11861 and RK 11862 Heater Relay Installation

**Note: Heater options are for use with diesel applications only.**

In-filter heaters are a cold weather starting aid with an internal, non-adjustable automatic thermostat that turns heater ON when fuel temperature drops below 50°F (10°C) and turns OFF when fuel reaches 80°F (27°C). Heat is supplied in the filter assembly just below replacement filter to melt wax crystals and allow fuel to pass through the filter for quick, easy starting.

Follow directions to hook up heater wire and leads to your engine.

### Optional Items

1. Heater power demand is 25 amps for 12 vdc and 13 amps for 24 vdc. Due to power demands, Racor recommends our relay kit for safest method of installation. Racor offers two relay kits available from your Racor distributor. Part numbers are RK 11861 (for 12 vdc) and RK 11862 (for 24 vdc). These kits include an in-line fuse holder (and fuse). Use a 25 amp fuse with a 12 vdc system and a 15 amp fuse with a 24 vdc system.
2. A customer supplied ON-OFF

toggle switch is recommended to control power to the heater relay. (Cuts power to heater for summer use or servicing procedures.)

3. All wires should be 14 AWG min.

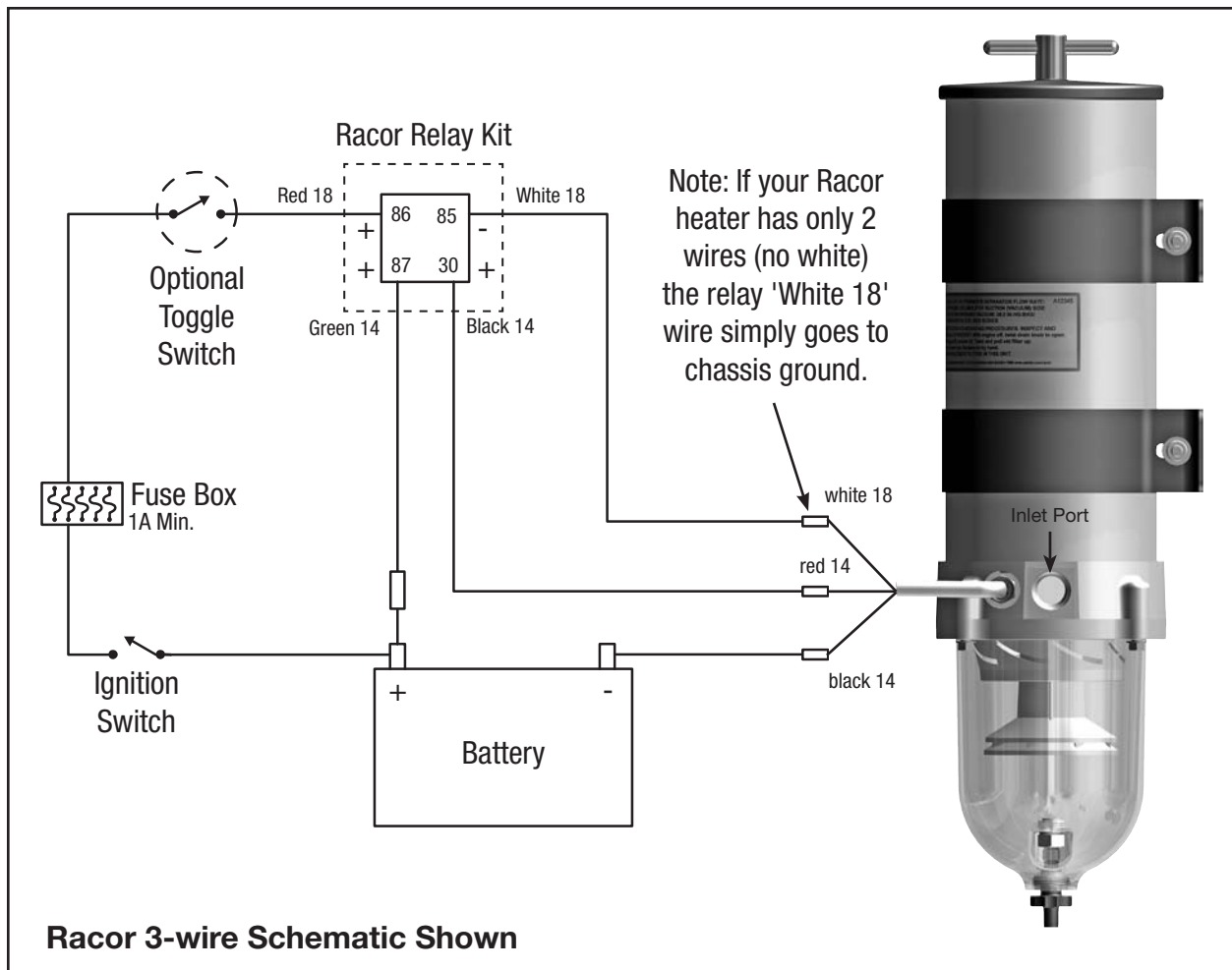
### Installation

1. Either heater wire may be used for Hot (+) or Ground (-).
2. Wire/terminal connections should be soldered and crimped.
3. Run wires in protected locations. Avoid hot surfaces and places that could pinch or rub on wires.

# CAUTION

1. Ensure wiring diagram is closely followed and proper safety fuse is used. If fuse should fail, ensure cause is found and corrected prior to using heater again.
2. Prime filter assembly with fuel before applying power to heater.
3. During vehicle or equipment servicing always ensure power to heater is shut off to avoid inadvertent heating of fuel in a static condition.
4. Annually, or every 12,000 miles, inspect all wiring for wear or unsafe conditions. Inspect heater for proper operation (at temperatures above 85°F, check continuity (with power off) across power and ground wires - current should be open - no continuity).
5. For questions or assistance, please call Racor Technical Support at (800) 344-3286 or (209) 521-7860 ext 7555.

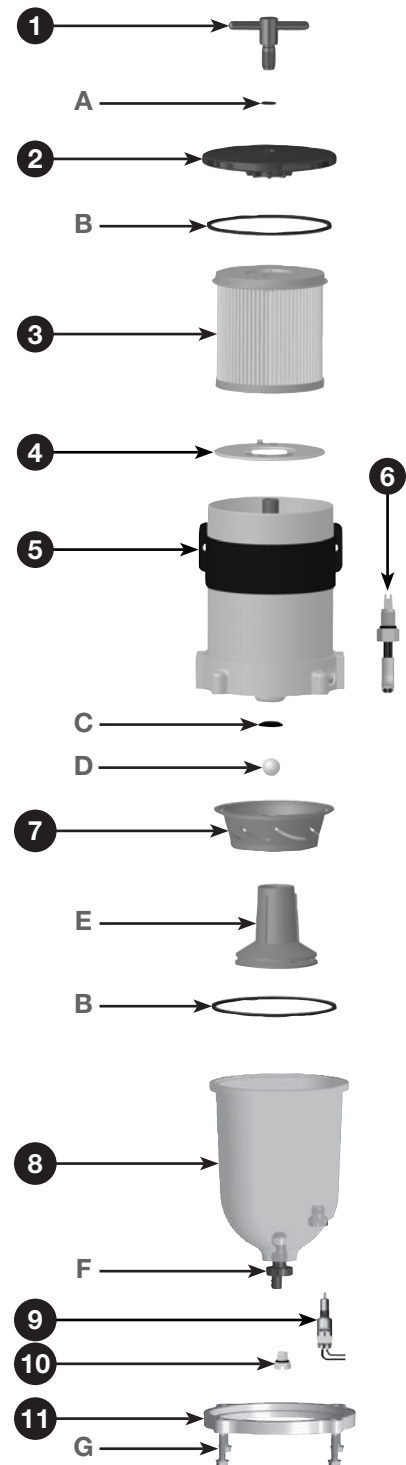
**Note: Never power heater on until fuel is fully primed within filter.**



# Replacement Parts

900FH

	Part No.	Description
1.	RK 11-1945	T-handle and O-ring Kit (includes A)
2.	RK 11-1927-01	Lid Kit (includes B)
3.	2040SM-OR	Replacement Filter (2 Micron) (includes A & B)
	2040TM-OR	Replacement Filter (10 Micron) (includes A & B)
	2040PM-OR	Replacement Filter (30 Micron) (includes A & B)
4.	RK 11-2002	12 vdc, Heater Body Feed-thru Kit (includes A, B, & 6)
	RK 11-2001	24 vdc, Heater Body Feed-thru Kit (includes A, B, & 6)
5.	RK 11815-103	Mounting Bracket Kit
6.	RK 21067	Body Feed-thru Heater Assembly Kit
	RK 11-1679	Body Feed-thru Plug Kit
7.	RK 11-1939	Conical Baffle and Turbine Centrifuge Kit (includes B, C, D, & E)
8.	RK 11-1938	See-thru Bowl with Drain and Plug Kit (includes B, F, & 10)
9.	RK 32204	Water Sensor Kit
10.	RK 20126	Bowl Plug Kit
11.	RK 11037A	Bowl Ring (includes B & G)
G.	RK 11542	Cap Screw Kit
Additional Parts (not shown)		
	RK 11-1952	Complete Seal Service Kit



# Specifications

## 900FH

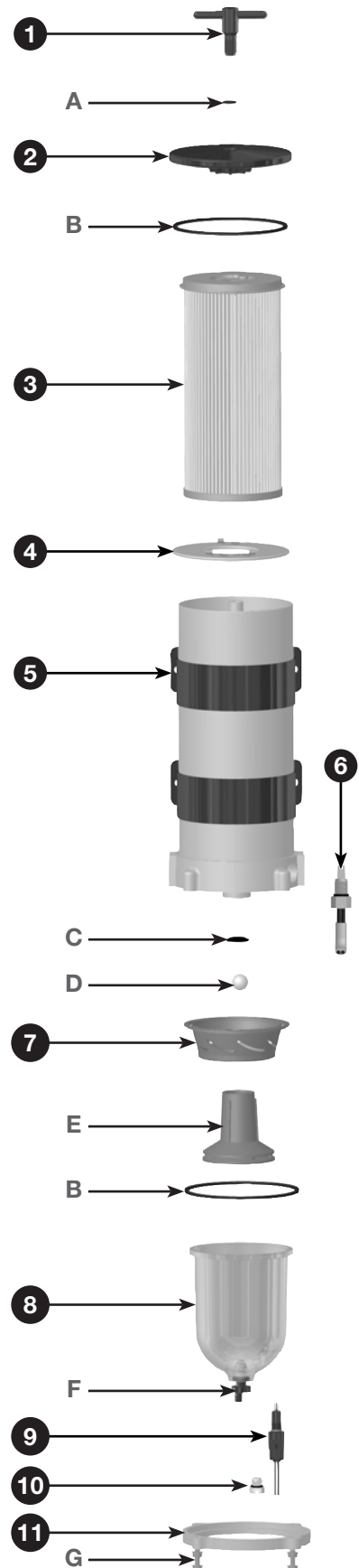


	900FH
<b>Maximum Flow Rate:</b>	90 GPH (341 LPH)
<b>Port Size</b>	7/8" -14 UNF (SAE J1926) (female threads)
<b>Min. Service Clearance:</b> <i>Above Assembly</i> <i>Below Assembly</i>	7.5 in. (19.1 cm) 2.0 in (5.1 cm)
<b>Replacement Filter:</b> (2 micron) (10 micron) (30 micron)	(1 Per Assembly) 2040SM-OR 2040TM-OR 2040PM-OR
<b>Height</b>	17.0 in. (43.2 cm)
<b>Depth</b>	7.0 in. (17.8 cm)
<b>Width</b>	6.0 in. (15.2 cm)
<b>Weight (dry)</b>	6.0 lb (2.7 kg)
<b>Clean Pressure Drop</b>	0.30 PSI (0.021 bar)
<b>Maximum Pressure<sup>1</sup></b>	15 PSI (1.03 bar)
<b>Water In Bowl Capacity:</b>	10.3 oz (305 ml)
<b>Available Options:</b> (water detection kit) <sup>2</sup> (12 or 24 vdc heater) <sup>2</sup> (vacuum gauge) (12 or 24 vdc primer pump)	Yes Yes Yes Yes
<b>Water Removal Efficiency</b>	99%
<b>Ambient Temperature Range</b>	-40° to +255°F (-40° to +124°C)
<b>Maximum Fuel Temperature</b>	190°F (88°C)
<sup>1</sup> Pressure installations are applicable up to the maximum PSI shown. Vacuum installations are recommended. <sup>2</sup> Not for use on gasoline applications. <b>Note:</b> Units with 1/2" NPT ports are available, contact the factory.	

# Replacement Parts

## 1000FH

	Part No.	Description
1.	RK 11-1945	T-handle and O-ring Kit (includes A)
2.	RK 11-1927-01	Lid Kit (includes B)
3.	2020SM-OR	Replacement Filter (2 Micron) (includes A & B)
	2020TM-OR	Replacement Filter (10 Micron) (includes A & B)
	2020PM-OR	Replacement Filter (30 Micron) (includes A & B)
4.	RK 11-2002	12 vdc, Heater Body Feed-thru Kit (includes A, B, & 6)
	RK 11-2001	24 vdc, Heater Body Feed-thru Kit (includes A, B, & 6)
5.	RK 11815-103	Mounting Bracket Kit
6.	RK 21067	Body Feed-thru Heater Assembly Kit
	RK 11-1679	Body Feed-thru Plug Kit
7.	RK 11-1939	Conical Baffle and Turbine Centrifuge Kit (includes B, C, D, & E)
8.	RK 11-1938	See-thru Bowl with Drain and Plug Kit (includes B, F, & 10)
9.	RK 32204	Water Sensor Kit
10.	RK 20126	Bowl Plug Kit
11.	RK 11037A	Bowl Ring (includes B & G)
G.	RK 11542	Cap Screw Kit
Additional Parts (not shown)		
	RK 11-1952	Complete Seal Service Kit





# Specifications

## 1000FH



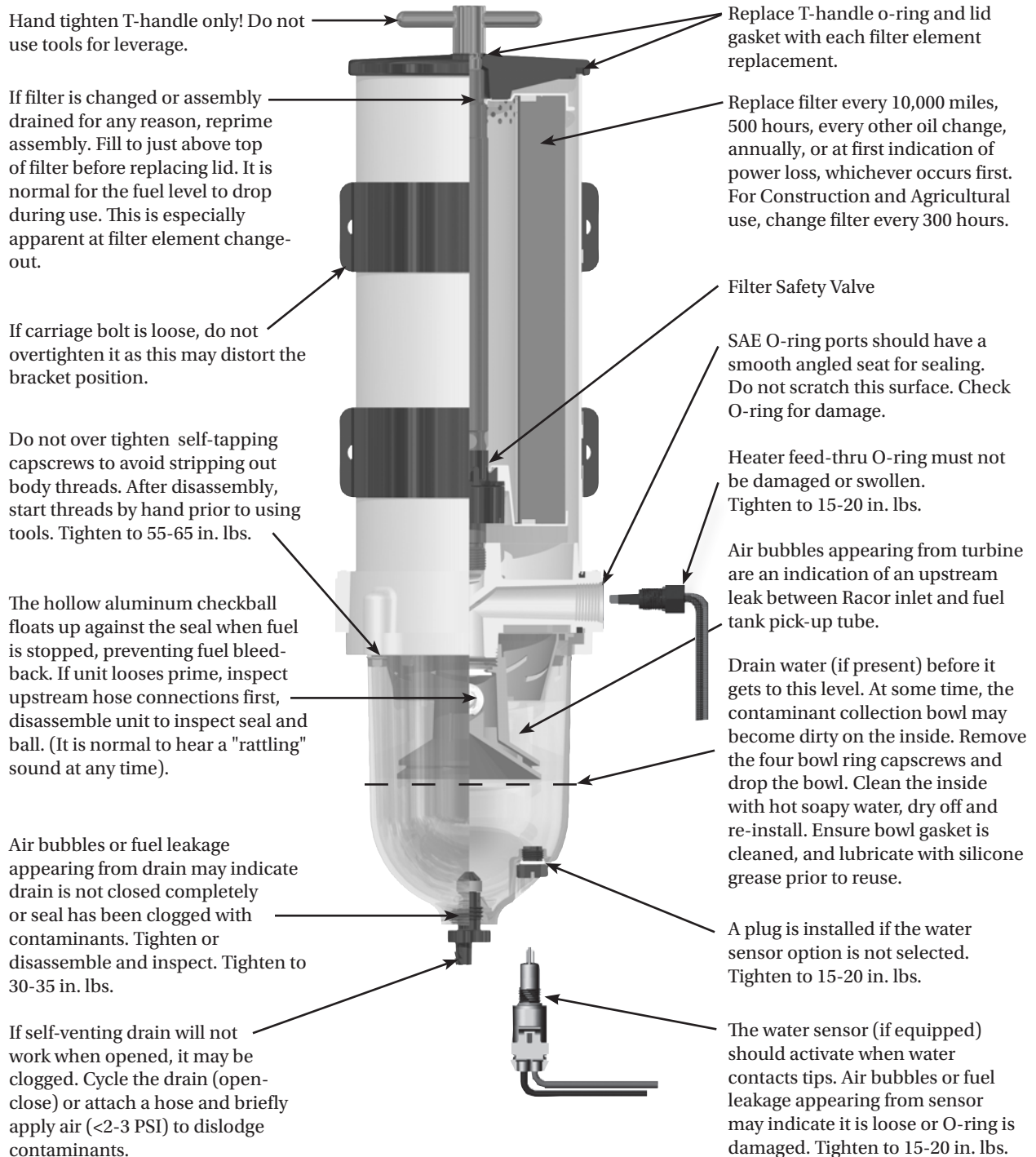
	1000FH
<b>Maximum Flow Rate:</b>	180 GPH (681 LPH)
<b>Port Size</b>	7/8"-14 UNF (SAE J1926) (female threads)
<b>Minimum Service Clearance: (Above Assembly) (Below Assembly)</b>	10.0 in. (25.4 cm) 2.0 in. (5.1 cm)
<b>Replacement Filter: (2 micron) (10 micron) (30 micron)</b>	(1 Per Assembly) 2020SM-OR 2020TM-OR 2020PM-OR
<b>Height</b>	22.0 in. (55.9 cm)
<b>Depth</b>	7.0 in. (17.8 cm)
<b>Width</b>	6.0 in. (15.2 cm)
<b>Weight (dry)</b>	10.0 lb (4.5 kg)
<b>Clean Pressure Drop</b>	0.43 PSI (0.03 bar)
<b>Maximum Pressure<sup>1</sup></b>	15 PSI (1.03 bar)
<b>Water In Bowl Capacity:</b>	10.3 oz (305 ml)
<b>Available Options: (water detection kit)<sup>2</sup> (12 or 24 volt dc heater)<sup>2</sup> (vacuum gauge) (12 or 24 vdc primer pump)</b>	Yes Yes Yes Yes
<b>Water Removal Efficiency</b>	99%
<b>Ambient Temperature Range</b>	-40° to +255°F (-40° to +124°C)
<b>Maximum Fuel Temperature</b>	190°F (88°C)

<sup>1</sup> Pressure installations are applicable up to the maximum PSI shown. Vacuum installations are recommended.

<sup>2</sup> Not for use on gasoline applications.

# Troubleshooting

Damaged, worn, or dirty seals will allow air ingestion. Inspect and replace all seals as needed. Clean the sealing surfaces of dirt or debris every time the filter is replaced.



# Troubleshooting

**Note** - Correct external fuel leaks immediately! These conditions will result in reduced engine performance such as: hard starting, stalling, reduced power, and other associated problems.

New filter installations must be filled with fuel and fuel system must be adequately primed following the **engine manufacturer's recommendations**, if applicable. Existing installation difficulties are usually associated with improper priming procedures or damage to the unit or fuel system. The result is either internal air suction or external fuel leakage. Diagnosis should be in these following steps:

1. Check fuel tank level and make sure any fuel delivery valves are in open position, as applicable.
2. Ensure T-handle, bowl fasteners, and fuel fittings are tight. Also verify that bowl drain is closed.
3. If filter is new, check potential restriction at fuel tank draw tube. An in-tank strainer may be plugged.

**Correct Application** - It is very important that filter is not 'under specified' for the application. The maximum fuel flow rating of filter must not be exceeded and engine manufactures maximum fuel inlet restriction, must not be exceeded. Doing so will reduce efficiency and de-gas (pull air from) fuel.

**Filter** - Replacement filters are available in 2, 10, and 30 micron ratings. Filtration needs are based on application, fuel quality, maintenance schedules, and operating climates. A simple rule to remember is - the finer the filtration, the more frequent the filter change. *Always carry extra replacement filters with your equipment as one tankful of excessively contaminated fuel can*

*plug a filter.* When clogged to the maximum capacity, filters will have a brown to black color or tar like contaminants may be present - this is normal. An appearance of a multi-colored slime (which may have a foul odor) is an indication of microbiological contamination. This condition must be treated immediately.

**Severe conditions must be corrected by a repair facility.**

**Note** - Never operate Racor unit without the filter in place - the 'filter safety valve' will not expose outlet hole on fuel return tube if filter is removed and fuel will not flow to engine. Instead, punch emergency tab on the top of filter and leave in place. Puncturing emergency tab will bypass all filtration and send unfiltered fuel to your engine. Service filter as soon as possible to avoid harmful contaminants flowing downstream to engine.

**Water Sensors** - This feature alerts operator of a high-water condition. The bowl is then drained of water at earliest convenience. Note - a Racor water detection module is needed to work with the in-bowl sensor. The unit should activate when water reaches sensor tips (and when they measure between 47,000 and 100,000 ohms of resistance, depending on detection module used.) If not, tips may be fouled with a coating. Remove water sensor and clean tips with a cloth. Run a jumper wire between tips with ignition ON to test system. Difficulties usually lie in the wire connections, power source, or an independent ground.

**Heaters** - In-filter heaters are starting aids, but may be left on during cold operations to continue to supply heat. The 300 watt heater

is an extremely reliable option, but **MUST** be powered via a relay switch due to initial amperage surge at start-up: 25 amps at 12 vdc and 12.5 amps at 24 vdc. They do not activate unless the fuel is below 50°F (10°C) and automatically deactivate at 80°F (28°C).

**Heater Testing** - Heaters can only be tested when the thermostat is closed (fuel temperature is below 50°F or 10°C). With a ampmeter attached to external wiring, and engine off, amperage should increase when heater is switched on. (Option - remove heater and place it in a freezer until the temperature is under 50°F (10°C). Remove heater and repeat the above test).

**All Racor FH filter assemblies are 100% tested to ensure a leak-proof, quality product.**

**Note** - Correct external fuel leaks immediately! In the event difficulties are experienced with your filter assembly or a problem appears to prevent the engine from running smoothly, refer to the procedures on the previous page. **Note** - Apply Parker Super O-lube (part number RK 31605) or equivalent to all seals at major attachment points to maintain integrity, seal elasticity, to fill small voids, and to provide protection from degradation.

**Perform all checks with engine OFF (and applicable valves closed). For replacement parts, refer to the Replacement Parts section of this manual.**

# Limited Warranties Statement

All products manufactured or distributed by Racor are subject to the following, and only the following, LIMITED EXPRESS WARRANTIES, and no others: For a period of one (1) year from and after the date of purchase of a new Racor product, Racor warrants and guarantees only to the original purchaser-user that such a product shall be free from defects of materials and workmanship in the manufacturing process. The warranty period for pumps and motors is specifically limited to ninety (90) days from date of purchase. A product claimed to be defective must be returned to the place of purchase. Racor, at its sole option, shall replace the defective product with a comparable new product or repair the defective product. This express warranty shall be inapplicable to any product not properly installed and properly used by the purchaser-user or to any product damaged or impaired by external forces.

THIS IS THE EXTENT OF WARRANTIES AVAILABLE ON THIS PRODUCT. RACOR SHALL HAVE NO LIABILITY WHATSOEVER FOR CONSEQUENTIAL DAMAGES

FLOWING FROM THE USE OF ANY DEFECTIVE PRODUCT OR BY REASON OF THE FAILURE OF ANY PRODUCT. RACOR SPECIFICALLY DISAVOWS ALL OTHER WARRANTIES, EXPRESS OR IMPLIED INCLUDING, WITHOUT LIMITATION, ALL WARRANTIES OF FITNESS FOR A PARTICULAR PURPOSE (EXCEPT FOR THOSE WHICH APPLY TO PRODUCT OR PART THEREOF THAT IS USED OR BOUGHT FOR USE PRIMARILY FOR PERSONAL, FAMILY, OR HOUSEHOLD PURPOSES), WARRANTIES OF DESCRIPTION, WARRANTIES OF MERCHANTABILITY, TRADE USAGE OR WARRANTIES OR TRADE USAGE.

## Warning

Failure or improper selection or improper use of the products and/or systems described herein or related items can cause death, personal injury and property damage. This document and other information from Parker Hannifin Corporation, its subsidiaries and authorized distributors provide product

and/or system options for further investigation by users having technical expertise. It is important that you analyze all aspects of your application and review the information concerning the product or system in the current product catalog. Due to the variety of operating conditions and applications for these products or systems, the user, through its own analysis and testing, is solely responsible for making the final selection of the products and systems and assuring that all performance, safety and warning requirements of the applications are met. The products described herein, including with limitation, product features, specifications, designs, availability and pricing, are subject to change by Parker Hannifin Corporation and its subsidiaries at any time without notice.

The following statement is required pursuant to proposition 65, applicable in the State of California: 'This product may contain a chemical known to the State of California to cause cancer or reproductive toxicity'.